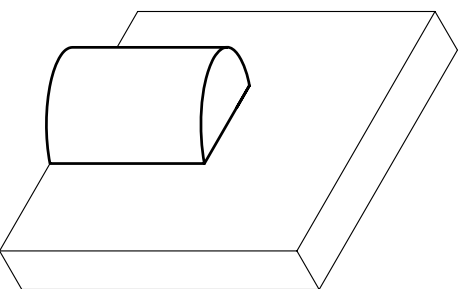
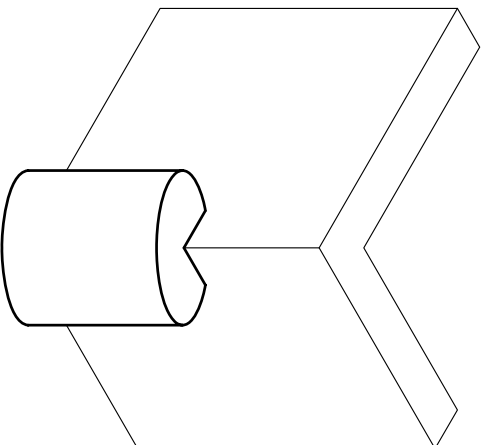


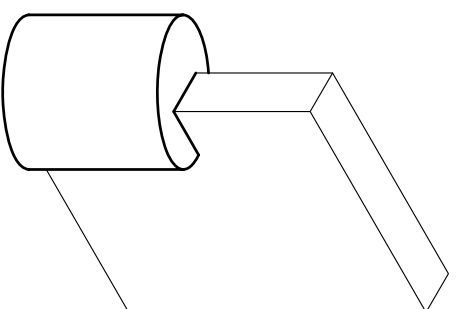
QUARTER COLUMN



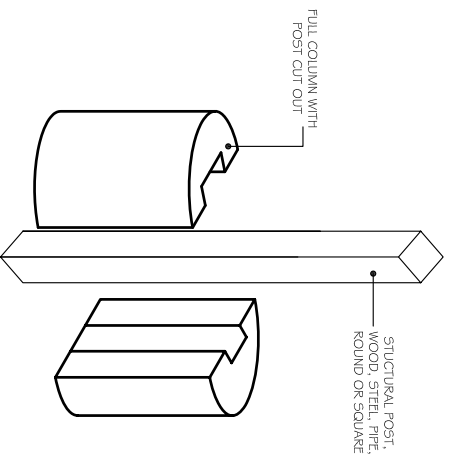
HALF COLUMN



THREE QUARTER COLUMN



NOTCHED COLUMN

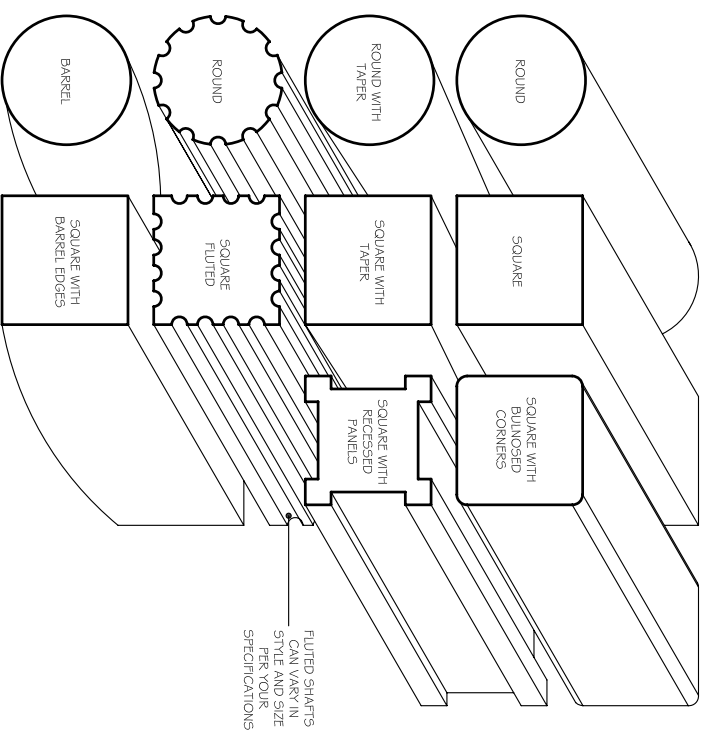


FULL COLUMN WITH
POST CUT OUT

STRUCTURAL POST,
WOOD, STEEL, PIPE,
ROUND OR SQUARE

- 4x4 POST REQUIRES A MINIMUM 7 1/2" DIAMETER SHAFT
- 4x6 POST REQUIRES A MINIMUM 9 3/16" DIAMETER SHAFT
- 4x8 POST REQUIRES A MINIMUM 1 1/8" DIAMETER SHAFT
- 6x6 POST REQUIRES A MINIMUM 1 0 1/2" DIAMETER SHAFT
- 8x8 POST REQUIRES A MINIMUM 1 3 1/2" DIAMETER SHAFT

THE ABOVE REQUIREMENTS ARE BASED ON A ROUND SHAFT AND MAY BE SUBJECT TO CHANGE



FLUTED SHAFTS
CAN VARY IN
SIZE
PER YOUR
SPECIFICATIONS

POST CUT OUTS

AVAILABLE SHAFT STYLES