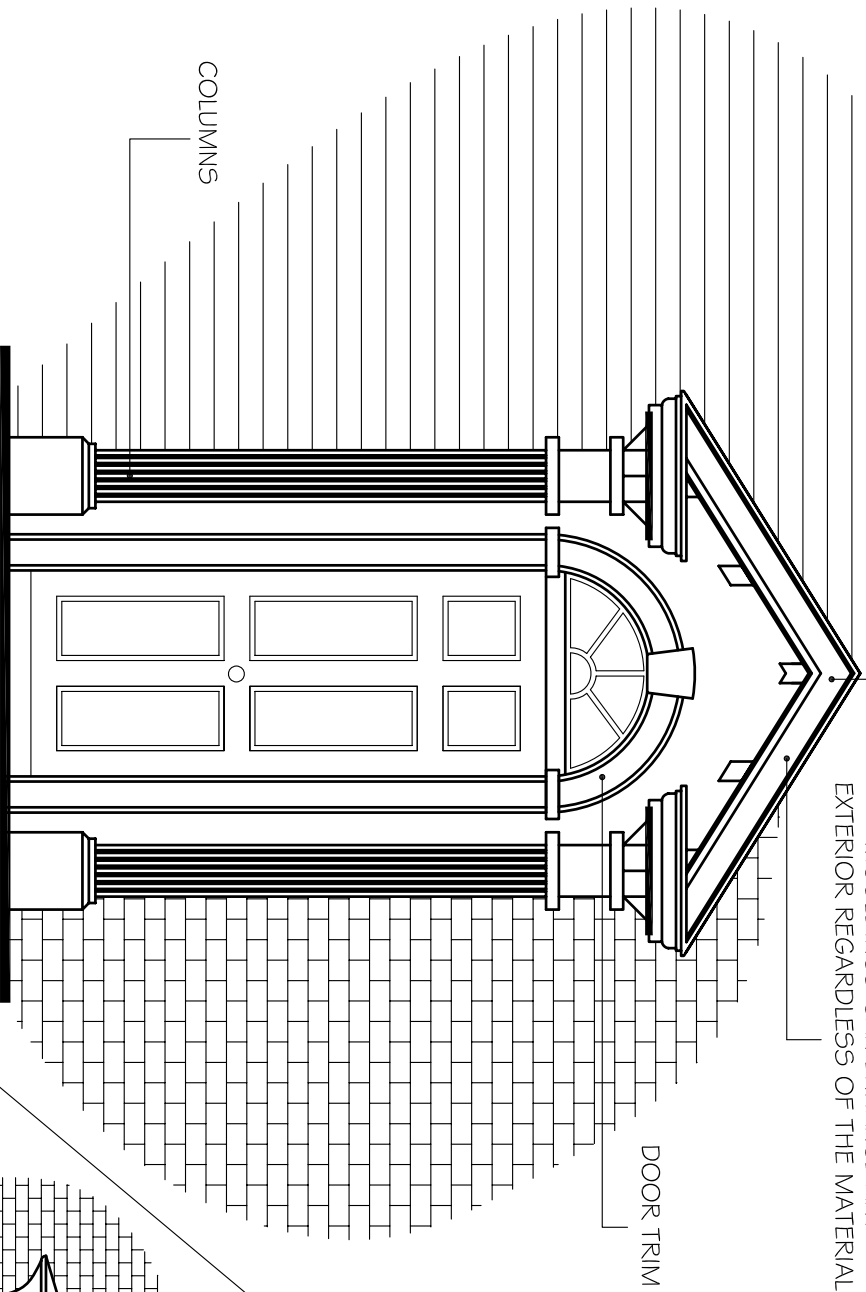


TYPICAL FOAM
PEDIMENT

PEDIMENTS AND OTHER FOAM
MOLDINGS CAN ENHANCE ANY
EXTERIOR REGARDLESS OF THE MATERIAL

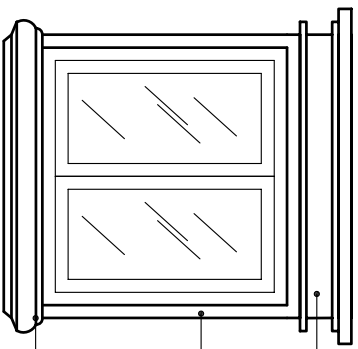


DOOR TRIM

COLUMNS

DOOR PEDIMENT

PEDIMENTS CAN
BE USED ABOVE
AN OPENING,
DOORWAY, OR
WINDOW, AND
EACH ONE CAN
BE CUSTOM CUT
FOR YOUR
APPLICATION

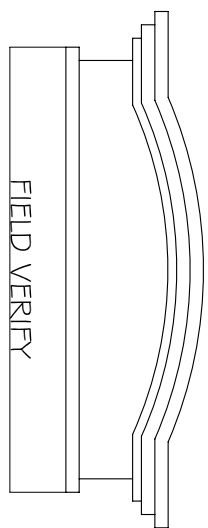


TYPICAL FOAM PEDIMENT

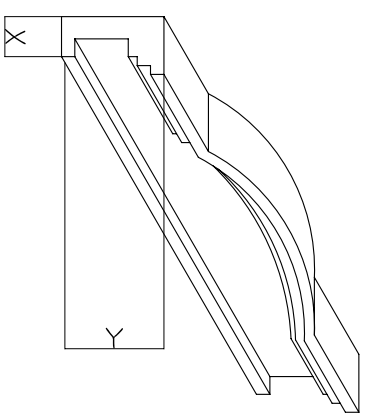
TYPICAL FOAM DOOR/WINDOW TRIM

TYPICAL FOAM WINDOW CILL

WINDOW PEDIMENT

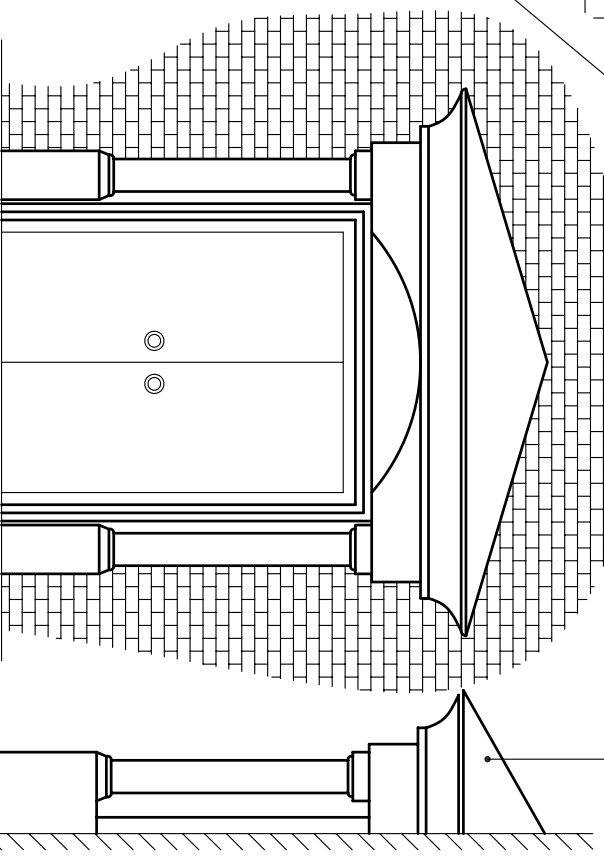


FIELD VERIFY



PEDIMENT

THIS ENTRY SURROUND HAS AN OPTIONAL
ROOF



DOOR PEDIMENT